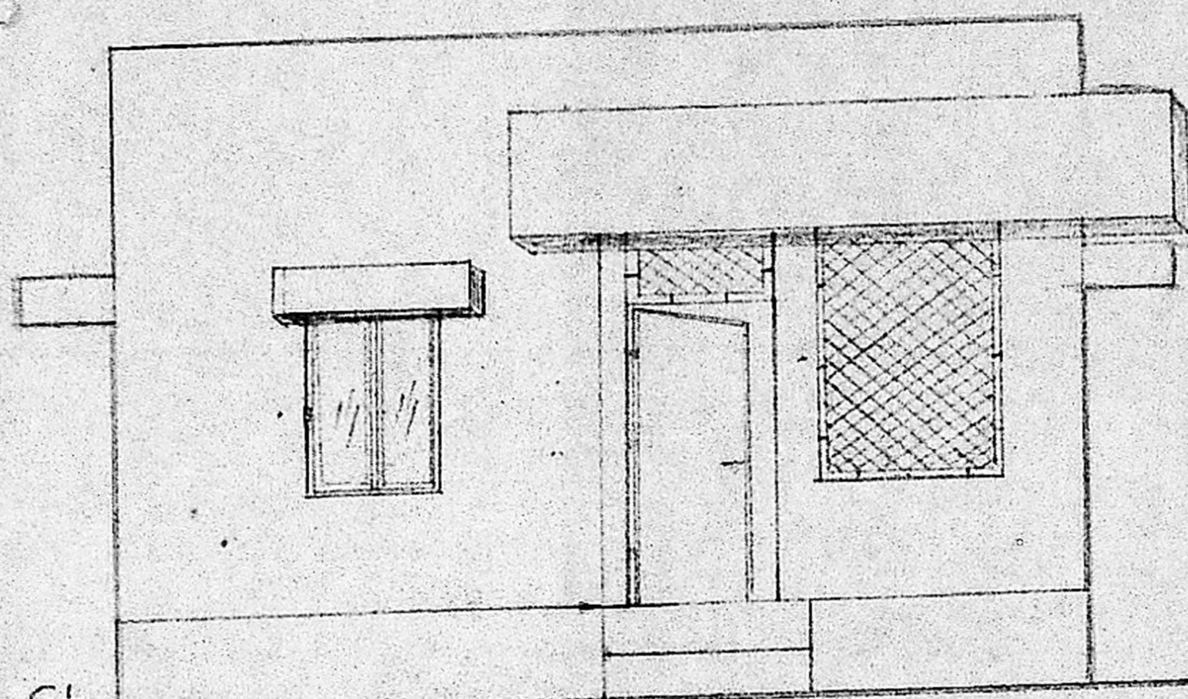


PLAN OF PROPOSED CONSTRUCTION OF A DWELLING HOUSE IN PLOT NO. 34 PART OF S No. 23E/1a2 OF 127 POLICHALUR VILLAGE SAIDAPET TALUK, CHENGALPET Dt. FOR SRI V.P. BALA KURUP. SCALE 1:50

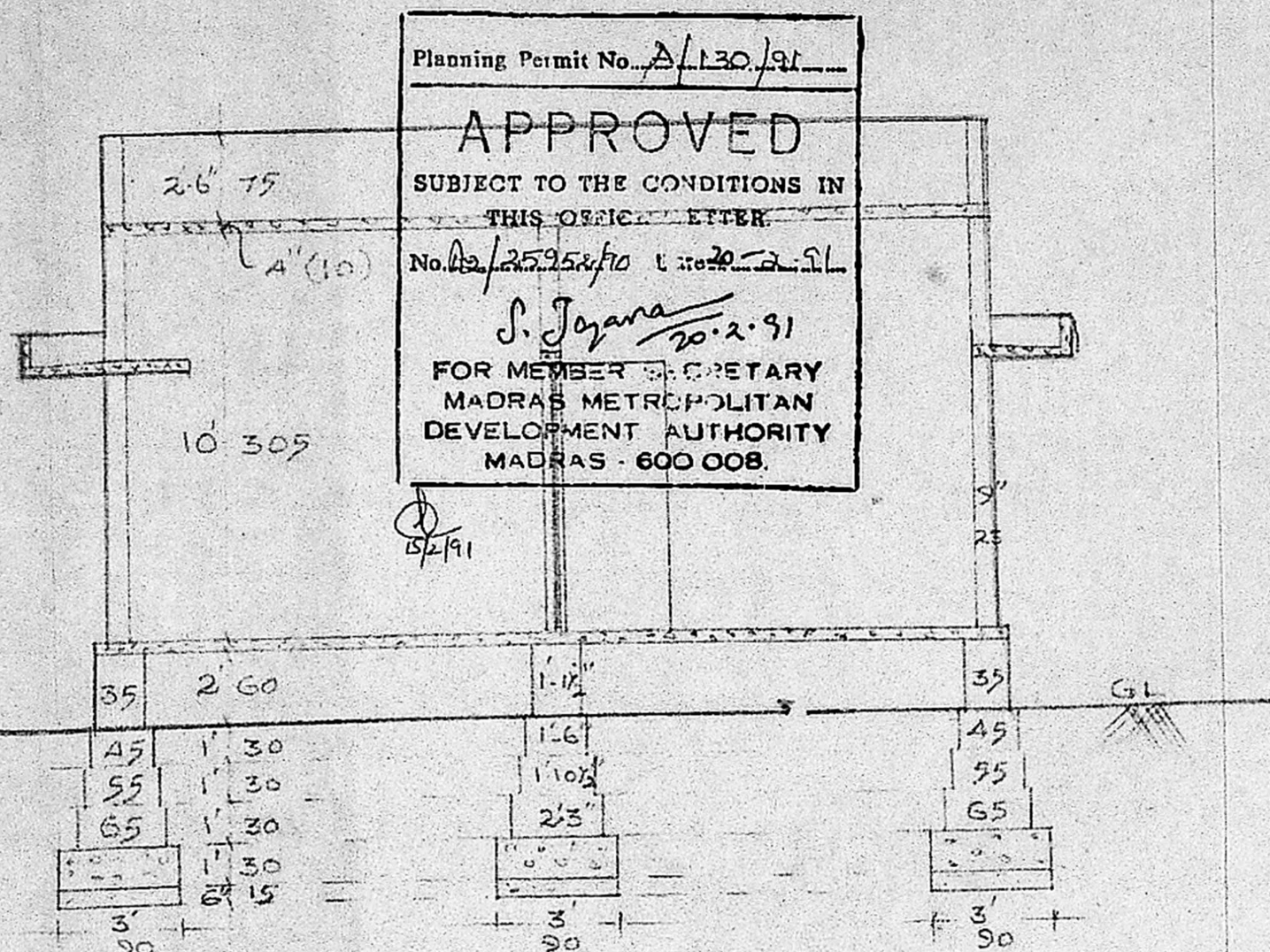
(SITE APPROVED AS PRIMARY RESIDENCIAL ZONE VIDE G.O MS. NO. 1545 HOUSING & URBAN DEVELOPMENT DEPARTMENT Dt. 11.7.1988)

EXTENT 2331 SFT (216.54)

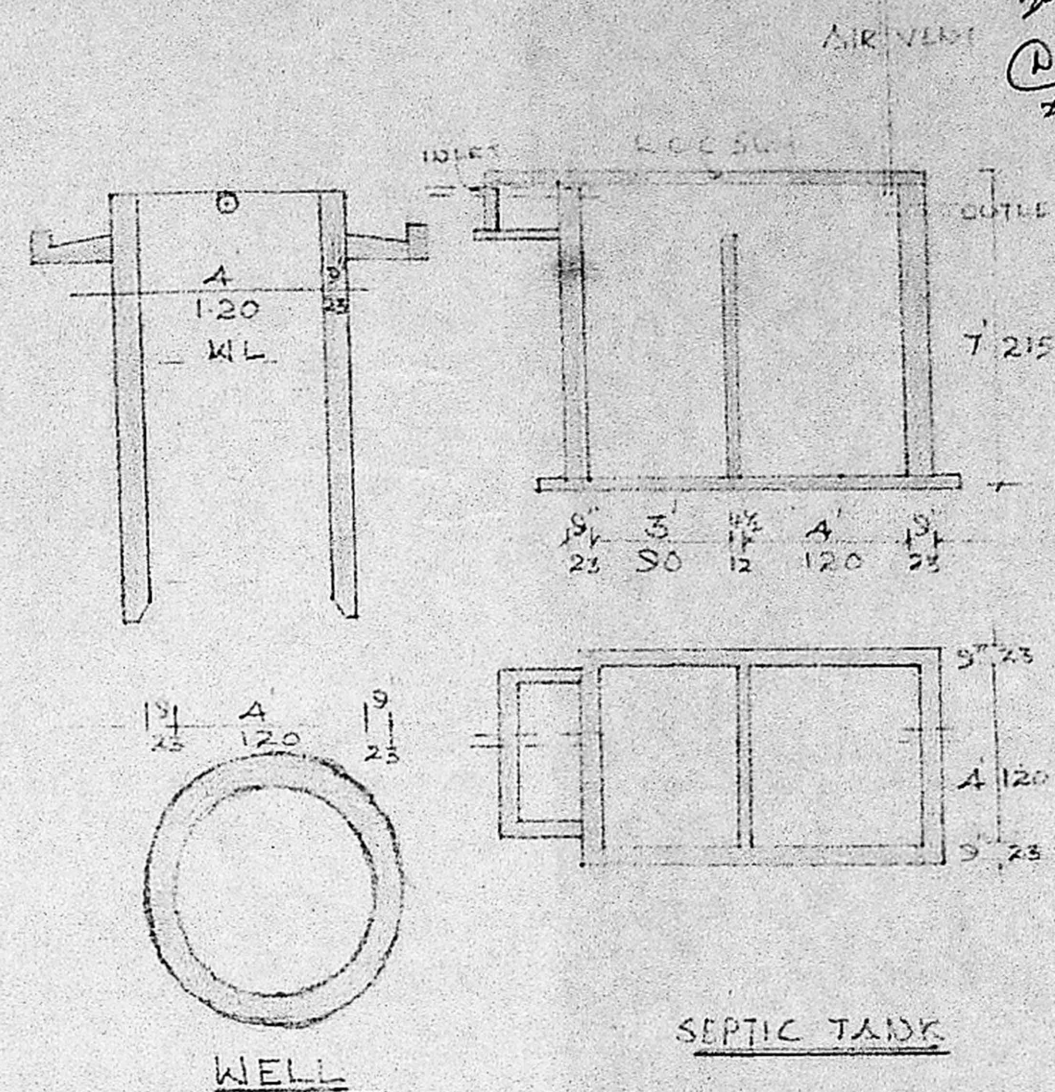
Survey Plan  
A2/25952/10  
26/12/90  
29/12



FRONT ELEVATION

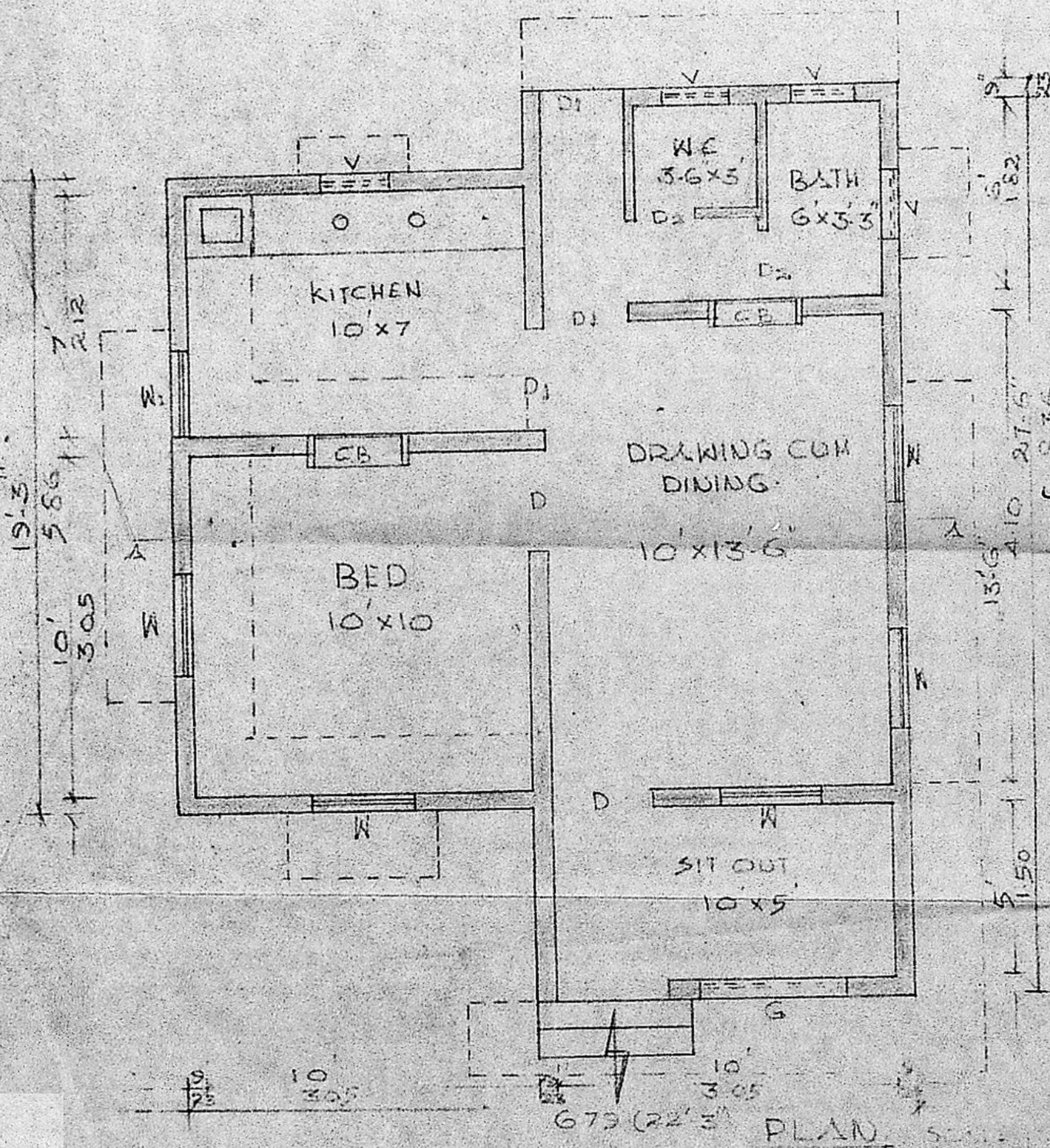


SECTION ON AA

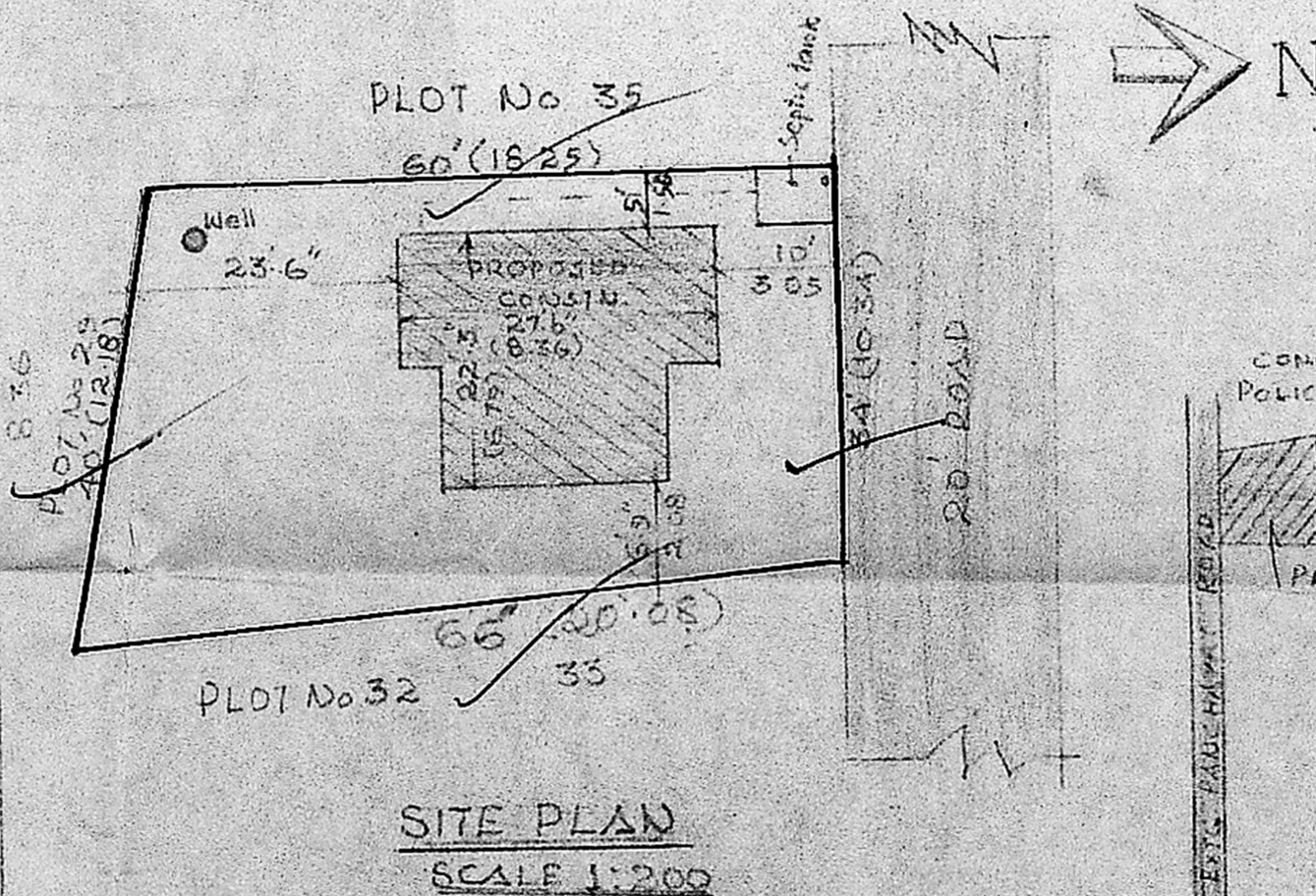


WELL

SEPTIC TANK



675 (22'3") PLAN



SITE PLAN  
SCALE 1:200

- SPECIFICATIONS :-**
- FOUNDATIONS: P.C.C 1:1.5:8 WITH AOMM METAL OVER SAND FILLING
  - SUB/SUPER STRUCTURE: BRICK WORK 10 CM 1:5 WITH COUNTRY BRICK
  - PLINTH, BEAM, SUN SHADE, LINTEL: R.C.C 1:2:4 USING 20MM METAL INCLUDING WEATHERING COURSE
  - ROOFING: R.C.C 1:2:4 USING 20MM METAL INCLUDING WEATHERING COURSE
  - FLOORING: P.C.C 1:1.5:8 WITH AOMM METAL
  - FINISHING: PLASTERING WITH CM 1:4 12MM THICK FOR WALLS 10x OUT WHITE WASH COLOUR 2 COATS PAINTING 2 COATS FOR D/WINDOWS

- JOINERIES**
- D. DOOR 3' x 6'-6" (0.90 x 2.00)
  - D1 2'-6" x 6'-6" (0.75 x 2.00)
  - D2 2'-3" x 6'-6" (0.68 x 2.00)
  - W. WINDOW 3'-0" x 4'-0" (0.90 x 1.20)
  - W1 2'-6" x 3'-6" (0.75 x 1.05)
  - V VENTILATOR 2'-1'-6" (0.60 x 0.45)
  - G GRILL 4'-6" x 5'-0" (1.35 x 1.50)
- PLINTH AREA :- 5255 SFT OR 49 M<sup>2</sup>

TOPO PLAN  
NOT TO SCALE

*Signature*  
ORDER

Shankar  
S. CHARLES  
LICENSED SURVEYOR  
Tamba in Municipality  
No-10, Mettu Street  
Bharathi Nagar  
PALLAVARAM, MADRAS-600 043

LICENSED SURVEYOR